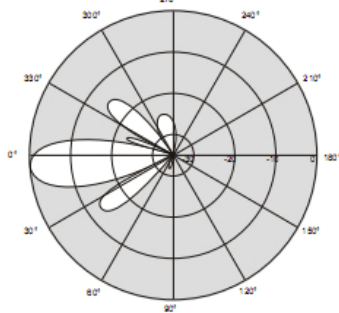
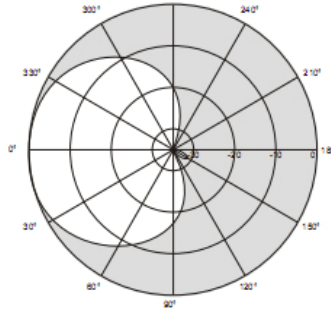


BAP Panel Antenna Series-Slant Pol.
Vertical Pattern (880MHz)

Horizontal Pattern (880MHz)


Electrical Parameters	BAP890-65S-15D
Frequency range	806~ 960MHz
Gain	15dBi
Polarization	Dual, slant $\pm 45^\circ$
Isolation between ports	≥ 33 dB
Vertical plane -3dB beamwidth	16.5°
Horizontal plane -3dB beamwidth	65°
First upper side lobe suppression	≥ 17 dB
Return loss	≥ 16 dB
Front to back ratio	≥ 30 dB
Max CW power per port	500W
Impedance	50 Ω
IMD performance	≤ -150 dBc
Fixed electrical downtilt	4°
Lighting protection	DC ground
Connector type	DIN 7/16F
Mechanical Parameters	Specification
Rated wind speed	200km/hr
Dimensions H x W x D	1158 \times 256 \times 137mm
Packed size H x W x D	1230 \times 400 \times 300 mm
Net weight (with mounting hardware)	8.5kg
Operating temperature	Min -40°C Max $+60^\circ\text{C}$
Radome material	FRP or UV Stable PVC
Mechanical downtilt max. (with adjustable brackets)	20°
Mounting pole (min/max diameter)	50~100mm
Performance	Specification
Materials:	All internal parts corrosion resistant. All antenna fasteners stainless steel. Bracket assemblies fully galvanized. Radome surface treated for maximum UV protection.
Mounting:	Available with either fixed brackets (non-adjustable) or mechanically adjustable bracket assemblies. Please specify when ordering.
Grounding:	Lower bracket assembly DC ground.

Eyecom company policy is one of continuing improvement; therefore we reserve the right to change this specification without notice.